

# 21.5" 23.6" FHD CCTV Monitor



**LED** technology benefits from intelligent color corrective technology with a mercury-free WLED backlight that automatically detects image signal and controls backlight brightness for blacker blackspurer whites and more clearly

## Features

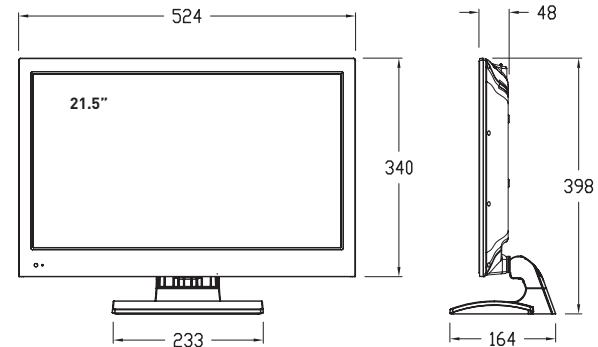
- FHD display 1920 x 1080
- Excellent contrast ratio and brightness
- Built-in 3D comb-filter & 3D de-interlace
- VESA hole 100 x 100 ( mm )
- PIP / PBP Multi-display function
- 2 x Composite BNC In / Out for looping
- Remote supported
- No Mercury. Enviroment-friendly Product
- LED backlit leads to less power consumption

Model	A215C1-LED	A236C1-LED
<b>General</b>		
Diagonal size	21.5"	23.6"
Panel type	TFT LCD	TFT LCD
Aspect ratio	16:9	16:9
Number of pixels	1920 x 1080	1920 x 1080
Pixel pitch	0.24825 x 0.24825 mm	0.2715 x 0.2715 mm
Color depth	16.7 Million Colors	
Backlight	LED	LED
<b>Optical (typ.)</b>		
Brightness	300 cd/m2	300 cd/m2
Contrast ratio	10000:1	10000:1
Response time ( Tr + Tf)	5 ms	5 ms
Viewing angle	Vertical -85°~85° / Horizontal -80°~80°	
<b>Operation</b>		
Input Interface	BNC x 1, HDMI x 2, VGA x 1	
Output Interface	BNC x 1	
Display mode	Video / PC / HDMI 1/ HDMI 2	
OSD	Picture Mode, Contrast, Brightness, Color, Tint, Sharpness, Color Temp, DNR	
OSD Languages	English, German, French, Italian, Spanish, Russian, Turkish, Polish, Dutch, Czech	
Speaker	1.5 W x 2	
Remote control	YES	
Composite Video		
<b>System</b>		
System	PAL / NTSC	
Video processing	Motion Adaptive 3D De-Interlacer and DNR, 4H Comb filter Y/C separation	
<b>Electrical</b>		
AC power	AC 100-240V 50/60HZ	
Power consumption	< 33W	<36W
Power supply	External power adapter	
<b>Mechanical</b>		
Case material	Plastic	
Dimension ( W x H x D) [include stand]	524 x 398 x 164 mm	580 x 428 x 164 mm
Support	Pedestal base	
Mounting interface	100 x 100 mm , M4 x 4 holes	
Net weight (Monitor & stand)	4.0Kgs (8.8 lbs)	4.6Kgs (10.1 lbs)
<b>Environment</b>		
Temperature	Operation: 0°~40°C(32°~104°F) , Storage: -10°~60°C(14°~140°F)	
Humidity	10%-90%	
Safety	FCC, CE, RoHS	
Delivery set	Monitor, Power cord with adapter, VGA cable, Remote controller, User Manual	

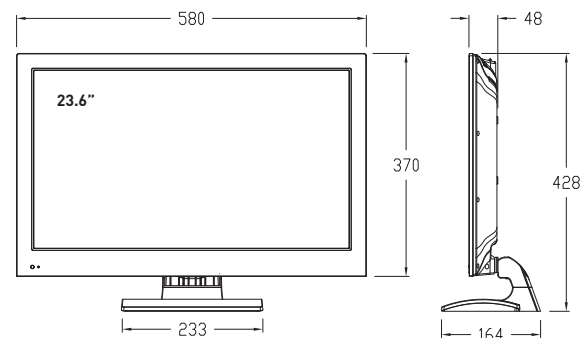
## Input / Output



## Physical Drawing



Unit: mm



Unit: mm

\*\* Design and specs are subjective to change without notice